

Basic set for 2-hole rim mounted bath mixer

Surface: Article Number: **13159180**

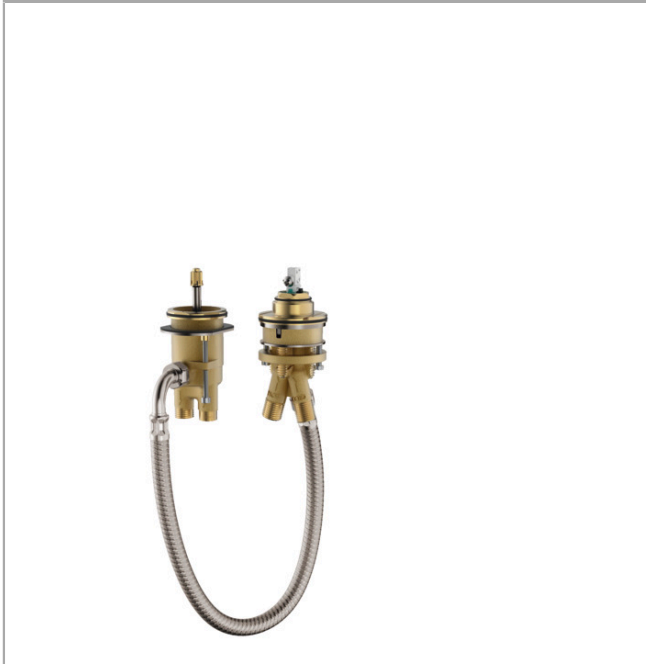


Description

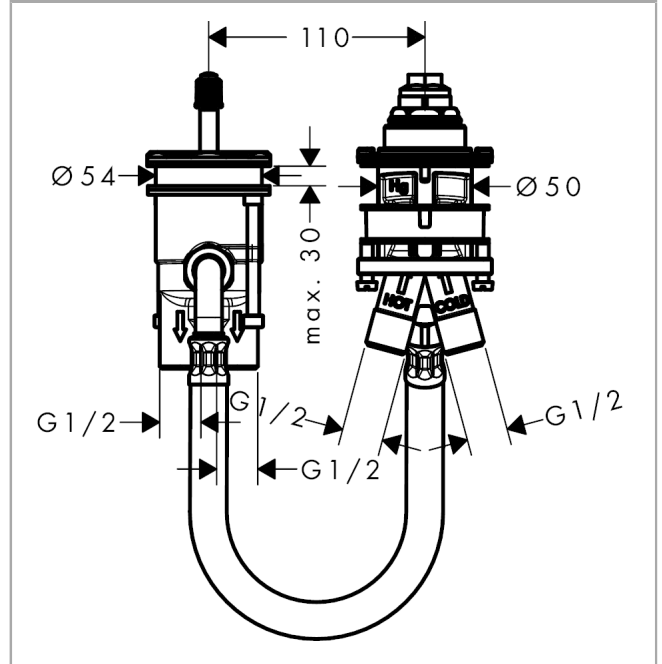
product features

- suitable for remote spout
- connection thread: G 1/2
- connection dimension: DN15
- ceramic cartridge

Product image



Scale drawing



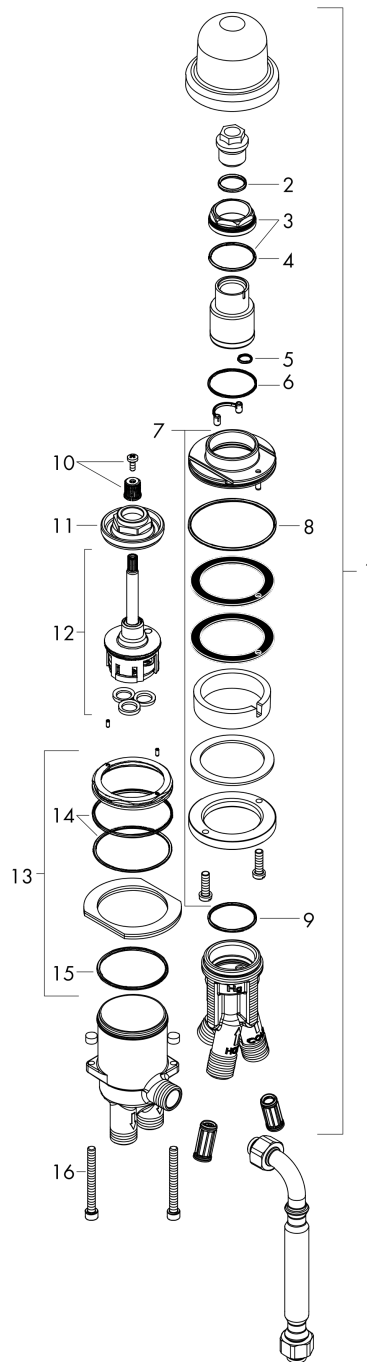
Basic set for 2-hole rim mounted bath mixer

Surface: Article Number: **13159180**



Exploded Drawing

Year of production: >04/17



Basic set for 2-hole rim mounted bath mixerSurface: Article Number: **13159180****Spare part list**

Year of production: >04/17

Pos.	Description	Article Number	Price	PU
1	stop valve cpl.	95809000	-	1
2	O-ring 18x2	98181000	-	1
3	nut	97209000	-	1
4	O-ring 33x2	98154000	-	1
5	O-ring 9x1,5	98117000	-	1
6	O-ring 35x1,5	92114000	-	1
7	fixing set	95808000	-	1
8	O-ring 62x2	92226000	-	1
9	O-ring 34x2	98383000	-	1
10	handle fixing set	98932000	-	1
11	nut	97550000	-	1
12	diverter unit	92371000	-	1
13	fixing set	96926000	-	1
14	O-ring 57x2	98210000	-	1
15	O-ring 47x2	98392000	-	1
16	hexagon socket screw M6x60	97785000	-	1